

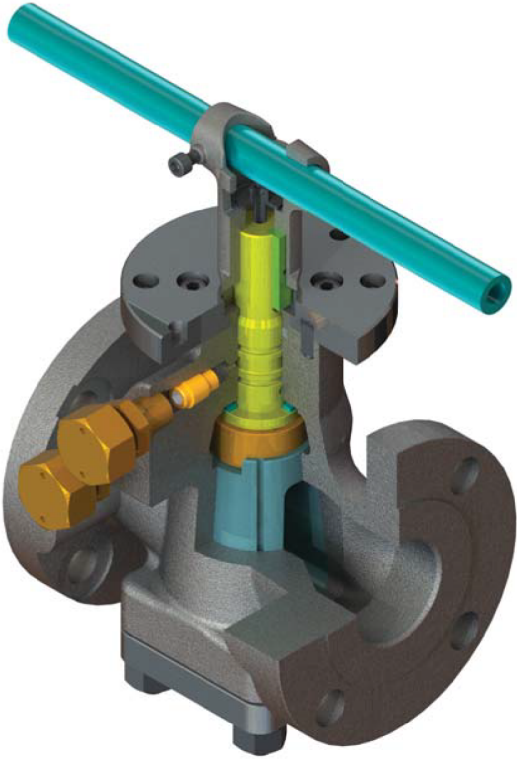
GUIDE VALVE LIMITED

GVS® Pressure Balanced Lubricated Plug Valves

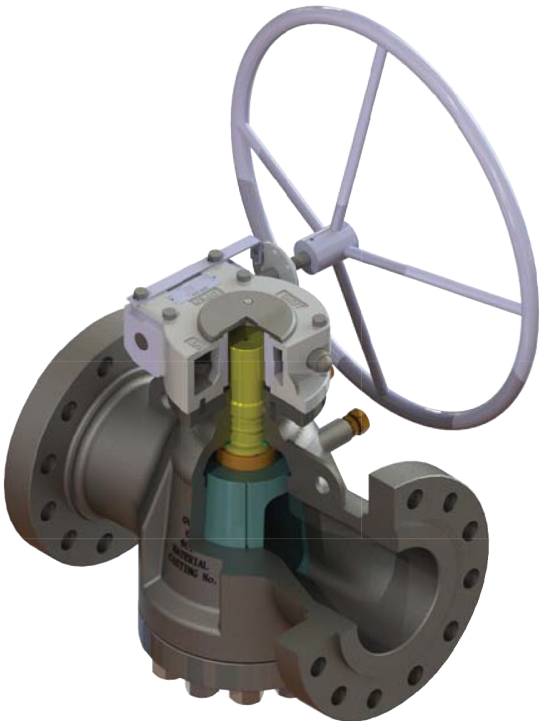




PRODUCT SERIES
PRESSURE BALANCED LUBRICATED PLUG VALVES



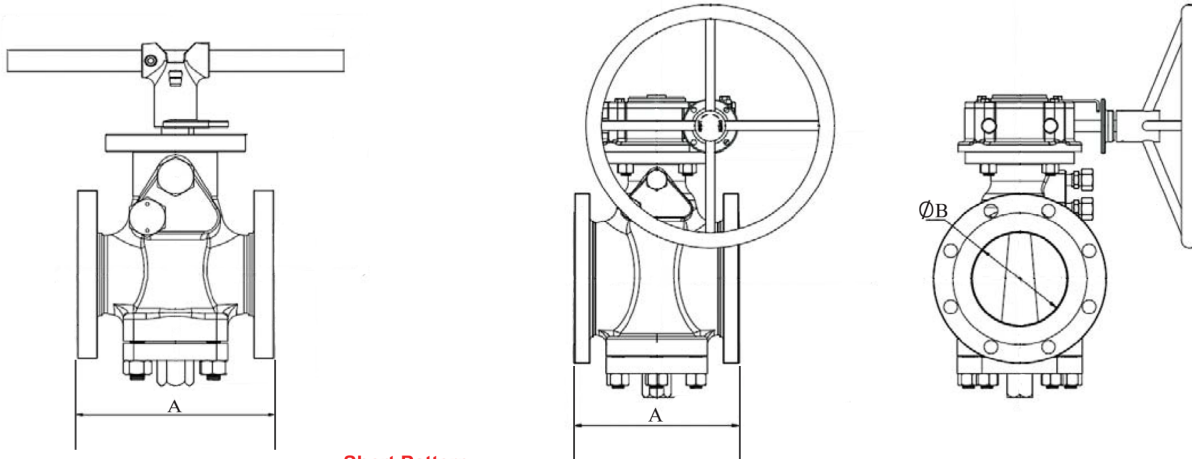
Model **P1** - Short Pattern



Model **P1** - Regular & Venturi Pattern



P1 - SHORT & VENTURI PATTERN - DIMENSIONS



Short Pattern

ANSI 150

VALVE SIZE	MIN BORE SIZE		A			WEIGHT	
	B	PORT	RF	RTJ	BW	RF/RTJ	BW
NPS	B	PORT	A			RF/RTJ	BW
inch	mm	%	mm	mm	mm	kg	kg
2*	51	80%	178	191	267	17	15.5
3*	76.2	70%	203	216	330	27	23
4	102	80%	229	241	356	57	50
6	152.4	45%	267	279	457	67	54
8	203.2	40%	292	305	521	108	80
10	254	40%	330	343	559	210	185
12	305	40%	356	368	635	330	295

ANSI 300

VALVE SIZE	MIN BORE SIZE		A			WEIGHT	
	B	PORT	RF	RTJ	BW	RF/RTJ	BW
NPS	B	PORT	A			RF/RTJ	BW
inch	mm	%	mm	mm	mm	kg	kg
2*	51	80%	216	232	267	20	17
3*	76.2	70%	283	298	330	38	32
4	102	80%	305	321	356	75	62
6	152.4	45%	403	419	457	118	98
8	203.2	40%	419	435	521	180	148
10	254	40%	457	473	559	270	220
12	305	40%	502	518	635	390	320

* Lever operated.

Venturi Pattern

ANSI 150

VALVE SIZE	MIN BORE SIZE		A			WEIGHT	
	B	PORT	RF	RTJ	BW	RF/RTJ	BW
NPS	B	PORT	A			RF/RTJ	BW
inch	mm	%	mm	mm	mm	kg	kg
16	387.4	40%	762	775	762	720	630
20	489	40%	914	927	914	1100	960
24	591	40%	1067	1080	1067	1800	1650
30	737	40%	1295	1308	1295	3200	2820

ANSI 300

VALVE SIZE	MIN BORE SIZE		A			WEIGHT	
	B	PORT	RF	RTJ	BW	RF/RTJ	BW
NPS	B	PORT	A			RF/RTJ	BW
inch	mm	%	mm	mm	mm	kg	kg
16	387.4	40%	838	854	838	800	665
20	489	40%	991	1010	991	1300	1150
24	591	40%	1143	1165	1143	2100	1900
30	737	40%	1397	1422	1397	4200	3400

ANSI 600

VALVE SIZE	MIN BORE SIZE		A			WEIGHT	
	B	PORT	RF	RTJ	BW	RF/RTJ	BW
NPS	B	PORT	A			RF/RTJ	BW
inch	mm	%	mm	mm	mm	kg	kg
16	387.4	40%	991	994	991	1050	820
20	489	40%	1194	1200	1194	2000	1600
24	591	40%	1397	1407	1397	3200	2600
30	737	40%	1651	1664	1651	6100	5200

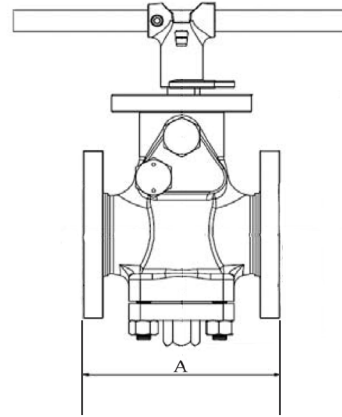


P1-REGULAR PATTERN-DIMENSIONS

Regular Pattern

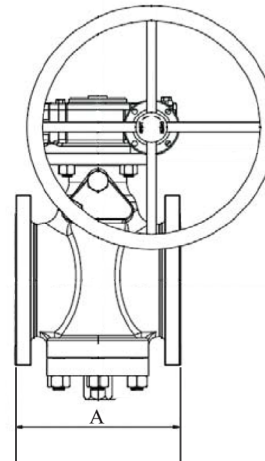
ANSI 600

VALVE SIZE	MIN BORE SIZE					WEIGHT	
	B	PORT	RF	RTJ	BW	RF/RTJ	BW
NPS	mm	%	A			kg	kg
2*	51	80%	292	295	292	28	22
3*	76.2	80%	356	359	356	54	45
4	102	80%	432	435	432	110	84
6	152.4	60%	559	562	559	220	170
8	203.2	60%	660	664	660	376	306
10	254	60%	787	791	787	620	505
12	305	60%	838	841	838	830	660
16	387.4	60%	991	994	991	1260	1030
20	489	60%	1194	1200	1194	2400	2000
24	591	60%	1397	1407	1397	3840	3240
30	737	60%	1651	1664	1651	7320	6420



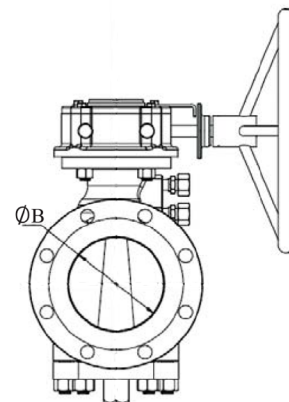
ANSI 900

VALVE SIZE	MIN BORE SIZE					WEIGHT	
	B	PORT	RF	RTJ	BW	RF/RTJ	BW
NPS	mm	%	A			kg	kg
2*	51	80%	368	371	368	48	34
3	76.2	80%	381	384	381	91	76
4	102	80%	457	460	457	187	167
6	152.4	60%	610	613	610	275	200
8	203.2	60%	737	740	737	470	384
10	254	60%	838	841	838	780	660
12	305	60%	965	968	965	1050	740
16	373.1	60%	1130	1140	1130	1590	1280
20	471.5	60%	1321	1334	1321	2370	1960
24	571.5	60%	1549	1568	1549	4720	4200



ANSI 1500

VALVE SIZE	MIN BORE SIZE					WEIGHT	
	B	PORT	RF	RTJ	BW	RF/RTJ	BW
NPS	mm	%	A			kg	kg
2*	51	80%	368	371	368	48	34
3	74.6	85%	470	473	470	92	70
4	100.0	85%	546	549	546	158	120
6	144.5	60%	705	711	705	316	260
8	192.4	60%	832	841	832	570	550
10	239.7	60%	991	1000	991	970	765
12	287.3	60%	1130	1146	1130	1630	1300
16	360.4	60%	1384	1407	1384	3080	2520
20	454	60%	1664	1686	-	3760	2750
24	546	60%	1943	1972	-	5480	3620



ANSI 2500

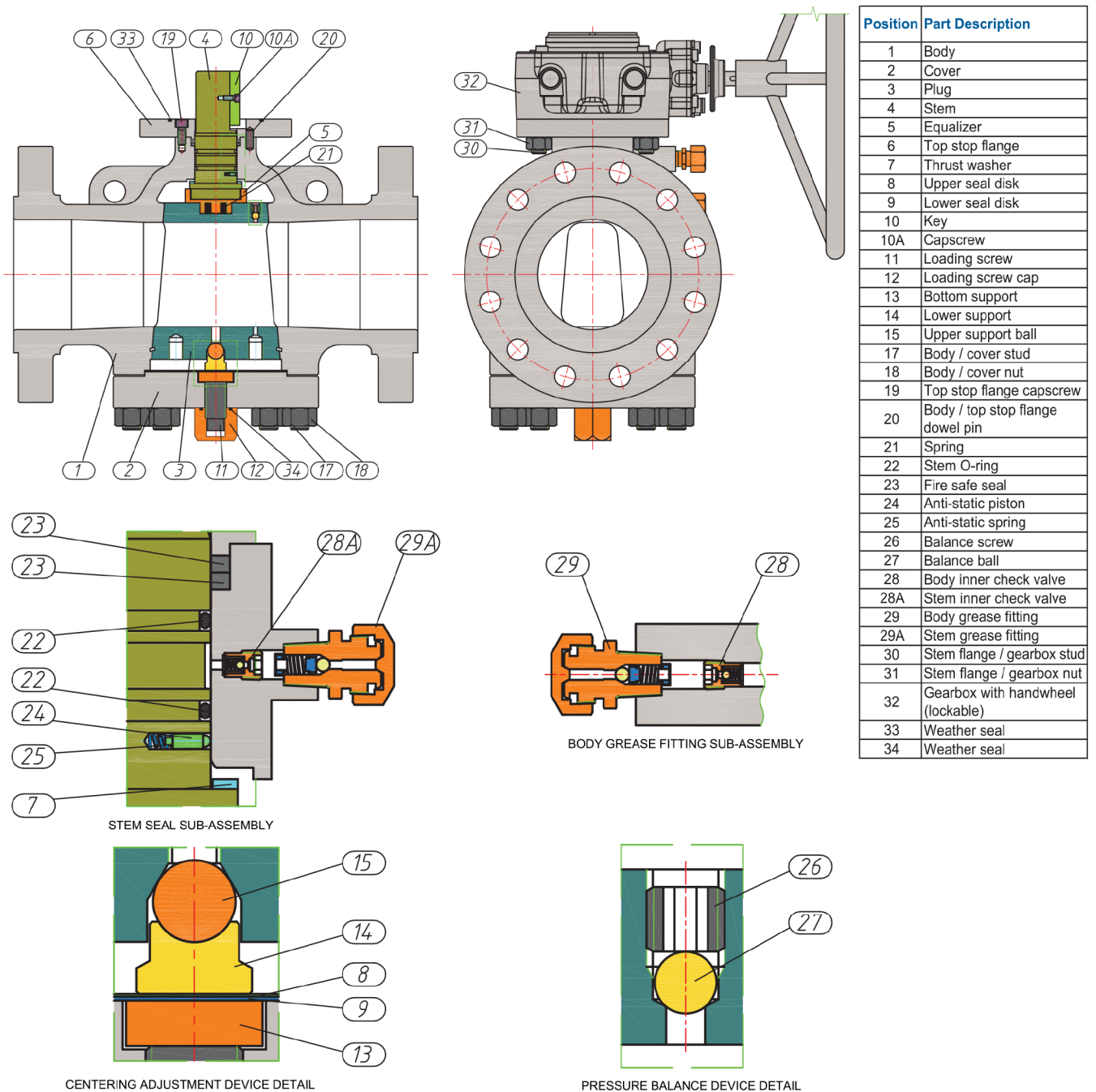
VALVE SIZE	MIN BORE SIZE		RF	RTJ	BW	WEIGHT	
	mm	%	mm	mm	mm	kg	kg
2	43.0	60%	451	454	451	82	65
3	62.0	60%	578	584	578	160	105
4	87.3	60%	673	683	673	260	175
6	131.8	60%	914	927	914	640	470
8	179.4	60%	1022	1038	1022	1350	1045
10	223.8	60%	1270	1292	1270	2180	1620
12	265.1	60%	1422	1445	1422	3090	2240

* Lever operated.

Additional Sizes Available



DESIGN FEATURES



FEATURES

- Design according to API 6D, API 599, and CSA Z245.15-17
- NACE MR0175 SOUR - Available
- Firesafe certified to ANSI / API 607, ISO 10497:2010 and API 6FA
- Anti-static devices
- Available in RF, RTJ and BW ends
- Pressure balancing device
- Centering adjustment device
- Anti-blow out stem design
- Stem emergency grease fitting
- Available in short, venturi and regular patterns

CANADA



API 6D: 6D-1342
 API 6A: 6A-2204
 API Spec Q1: Q1-4181
 ISO 9001 :2015: 0052985-01

CHINA



API 6D: 6D-1822
 API 6A: 6A-2250
 API Spec Q1: Q1-3641
 ISO 9001 :2015: ISO-3983

Intertek
Total Quality. Assured.

CERTIFICATE OF REGISTRATION

This is to certify that the management system of:
Guide Valve Limited
 Main Site: 51 Terecar Drive, Woodbridge, Ontario, L4L 0B5, Canada
 has been registered by Intertek as conforming to the requirements of:
ISO 9001:2015
 The management system is applicable to:
 The design and manufacturing of valves.

AN ACCREDITED MANAGEMENT CERTIFICATE

American Petroleum Institute

Calin Moldov
President, Busine

Certificate of Authority to use the Official API Monogram
License Number: 6D-1342
 ORIGINAL

The American Petroleum Institute hereby grants to
GUIDE VALVE LIMITED
 51 Terecar Drive #1
 Woodbridge, ON
 Canada

the right to use the Official API Monogram® on manufactured products under the conditions in the official publications of the American Petroleum Institute entitled API Spec Q1® and API-6D and in accordance with the provisions of the License Agreement.

In all cases where the Official API Monogram is applied, the API Monogram shall be used in conjunction with this certificate number: **6D-1342**

The American Petroleum Institute reserves the right to revoke this authorization to use the Official API Monogram for any reason satisfactory to the Board of Directors of the American Petroleum Institute.

The scope of this license includes the following: Ball Valves and Plug Valves

API Global Industry Services



Fire Test Report
 ANSI/API Standard 607, 6th Edition, 2010
 ISO 10497: 2010
 API 6FA, Third Edition, April 1999

Performed for
Guide Valve Limited
www.gvs-vci.com

8 inch Class 600 Pressure Balanced Plug Valve
 Valve Code: 08-P1R-600-RF-G-02

Project Number: 08-P1R-600-RF-G-02

GUIDE VALVE LIMITED

51 Terecar Dr., Unit 1
 Woodbridge, ON CANADA L4L 0B5
 Tel: 905-761-7877
 Fax: 905-761-7917

www.gvs-vci.com

sales@gvs-vci.com

GUIDE VALVE USA LIMITED

950 Echo Ln, Suite 200
 Houston, Texas USA 77024

Toll Free: 1-888-824-5693

Distributor / Agent: